



Roller ironer for on-premises laundry applications

I25-140



Features

- Attractive design
- Standard finger guard protection
- When unattended, the device shuts off automatically
- Reduced number of mechanical and moving parts for a lower maintenance cost
- Homogeneous ironing pressure to ensure top ironing quality
- PID controlled temperature regulation offering better temperature distribution and reduced energy consumption
- Long-life heating elements
- Anodised extruded aluminium profile avoiding temperature drop and ensuring top ironing quality
- All vital components are easily accessible
- Start/stop pedal
- Standard NOMEX top cover sheet
- Backside of the basin is insulated with 25mm ceramic wool
 - no energy waste
 - quick temperature rise

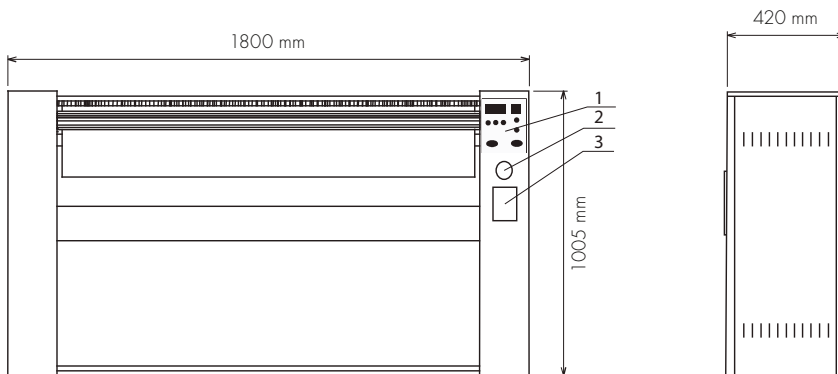
Options

- Frequency inverter enabling variable ironing speed
- Fan exhaust removing humid air from the ironer

I25-140

Roller	
Length	1400 mm
Diameter	250 mm
Speed	3,9 m/min (2-4*/**)
Capacity	40 kg/h (rest humidity 10-15%) / (20-25%**)
Fuses	
230/50/1	32 A (40 A**)
230/50/3	25 A
230/60/1	32 A (40 A**)
230/60/3	25 A
400/50/3	16 A
400/60/3	16 A
440/60/3	16 A
Heating	7 kW (8,4 kW**)
Total power	7,2 kW (8,6 kW**)
Exhaust fan	70 m ³ /h (**)
Transport data	
Net weight	135 kg
Gross weight	154 kg
Dimensions HxWxD	1005x1800x420 mm
Volume	0,76 m ³
Packing dimensions HxWxD	1150x1880x500 mm
Volume	1,1 m ³

(*) Option: variable ironing speed - frequency inverter - (**) Option AV: variable ironing speed and exhaust



- 1 Control panel
- 2 Emergency stop button
- 3 Manual roller drive
- 4 Main switch and power supply