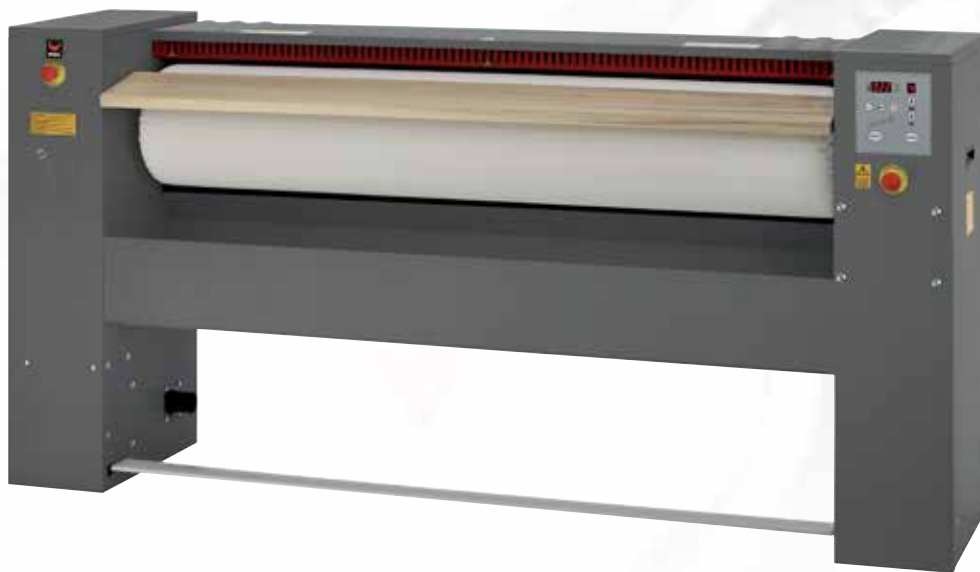




IPSO®

Roller ironer for on-premises laundry applications

I30-200AV

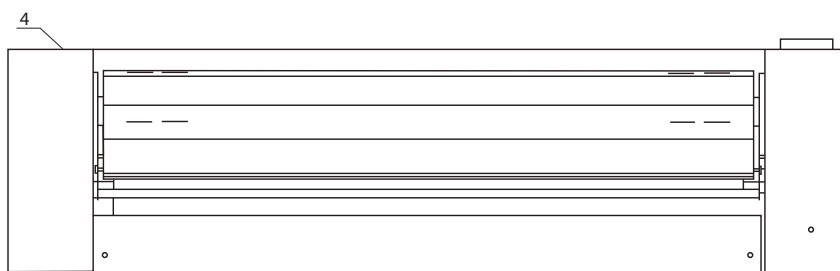
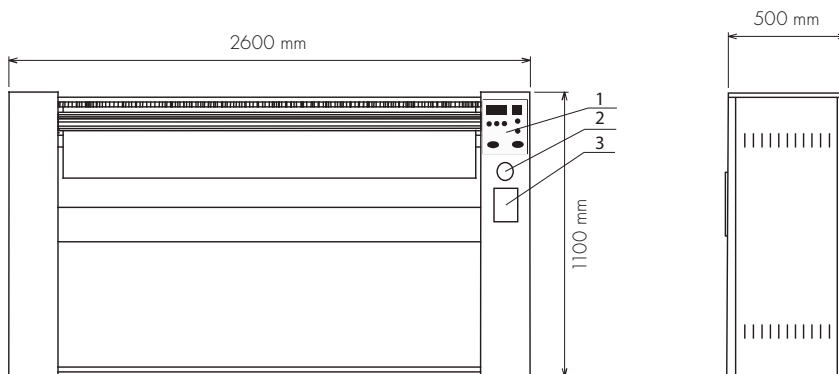


Features

- Attractive design
- Standard finger guard protection
- When unattended, the device shuts off automatically
- Reduced number of mechanical and moving parts for a lower maintenance cost
- Homogeneous ironing pressure to ensure top ironing quality
- PID controlled temperature regulation offering better temperature distribution and reduced energy consumption
- Long-life heating elements
- Anodised extruded aluminium profile avoiding temperature drop and ensuring top ironing quality
- All vital components are easily accessible
- Standard NOMEX top cover sheet
- Backside of the basin is insulated with 25mm ceramic wool
 - no energy waste
 - quick temperature rise
- Frequency inverter enabling variable ironing speed
- Fan exhaust

I30-200AV

Roller	
Length	2000 mm
Diameter	290 mm
Speed	2-4 m/min
Capacity	52-79 kg/h (rest humidity 40-45%)
Fuses	
230/50/3	50 A
230/60/3	50 A
400/50/3	32 A
400/60/3	32 A
440/60/3	32 A
Heating	16,8 kW
Total power	17,5 kW
Exhaust fan	200 m ³ /h
Transport data	
Net weight	294 kg
Gross weight	350 kg
Dimensions HxWxD	1100x2600x500 mm
Volume	1,43 m ³
Packing dimensions HxWxD	1260x2690x590 mm
Volume	1,99 m ³



- 1 Control panel
- 2 Emergency stop button
- 3 Manual roller drive
- 4 Main switch and power supply